

OLYMPIA

Electric Chafing Dish

Instruction manual



Caution: Read the instructions before using the appliance.

**Model:
CM266-A**

Safety Instructions

- Position on a flat, stable surface.
- A service agent/qualified technician should carry out installation and any repairs if required. Do not remove any components on this product.
- Consult Local and National Standards to comply with the following:
 - Health and Safety at Work Legislation
 - Fire Precautions
 - Wiring Regulations
 - Building Regulations
- DO NOT immerse the appliance in water, or use jet/pressure washers to clean it.
- DO NOT touch hot surfaces with bare hands. Always use the handles/protective gloves.
- DO NOT overfill the appliance. Keep the water level below the 'MAX' level.
- DO NOT allow the water level to drop below the 'MIN' level during operation.
- DO NOT move the appliance when it contains hot liquid.
- DO NOT use the appliance for anything other than its intended use.
- Always switch off and disconnect the power supply to the appliance when not in use.
- Not suitable for outdoor use.
- Keep all packaging away from children. Dispose of the packaging in accordance to the regulations of local authorities.
- If the power cord is damaged, it must be replaced by a Olympia agent or a recommended qualified technician in order to avoid a hazard.
- This appliance must only be used in accordance with these instructions and by persons competent to do so.

- This appliance can be used by children aged from 8 years and above and persons with reduced physical, sensory or mental capabilities or lack of experience and knowledge if they have been given supervision or instruction concerning use of the appliance in a safe way and understand the hazards involved.
- Children should be supervised to ensure that they do not play with the appliance.
- Olympia recommend that this appliance should be periodically tested (at least annually) by a Competent Person. Testing should include, but not be limited to: Visual Inspection, Polarity Test, Earth Continuity (Class I equipment), Insulation Continuity and Functional Test.
- This appliance is intended to be used in household and similar applications such as:
 - staff kitchen areas in shops, offices and other working environments;
 - farm houses;
 - by clients in hotels, motels and other residential type environments;
 - bed and breakfast type environments.

Product Description

Olympia Electric Chafing Dish - 100mm deep pan with stand

Introduction

Please take a few moments to carefully read through this manual. Correct maintenance and operation of this machine will provide the best possible performance from your Olympia product.

Pack Contents

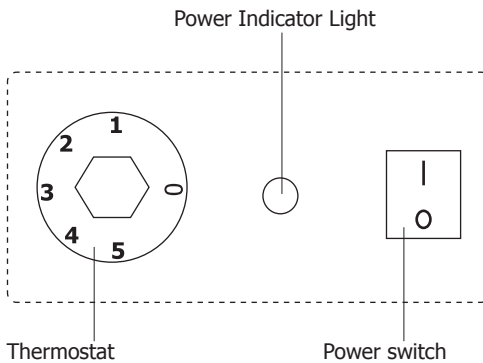
The following is included:

- Olympia Chafing Dish
- 1/1 GN pan
- Lid
- Stand
- Instruction manual

Olympia prides itself on quality and service, ensuring that at the time of unpacking the contents are supplied fully functional and free of damage.

Should you find any damage as a result of transit, please contact your Olympia dealer immediately.

Operation



1. Connect the appliance to the power supply.
2. Fill the tank with water to a level between the 'MIN' and 'MAX' marks on the inside of the tank.



Note: Olympia recommend that fresh water be used each time the appliance is used.

3. Switch the power switch to the On position [I]. The red power indicator light will turn on.
4. Turn the thermostat to the desired setting to heat-up the appliance.
5. Once the appliance has heated the water, the power indicator light turns Off.
6. Reduce the heat setting on the Thermostat to maintain temperature.



WARNING: Do not allow the water to drop below the 'MIN' level during operation. Severe damage to the heating element could result.

Maintaining Water Levels

It is important to regularly check the water level in the Bains Marie tank.

- Always keep the water level above the 'MIN' mark on the inside of the tank during operation.
- Damage to the heating element can occur if the tank boils dry and the element may have to be replaced.
- This is not covered by the Olympia warranty.

Emptying the Appliance



Note: Always switch the appliance off and allow the water to cool before emptying.

Use a suitable container to remove the water from the appliance.

Thermal Cut-Out Reset

This appliance is fitted with a Thermal Cut-Out safety feature. Should the temperature exceed safe levels the appliance will automatically cut power.

The Safety Cut-out switch is located on side of the appliance. To reset the appliance after a sufficient cool-down period:

1. Unscrew the reset switch cover.
2. Press the small reset switch down until it clicks, using a blunt pointed instrument.
3. The appliance is now reset and can be used as normal.



WARNING: Ensure the appliance has cooled down and is empty before resetting the switch, as it may need to be tipped slightly to gain access to the switch.

Cleaning, Care & Maintenance



WARNING: Always turn off and disconnect the appliance from the power supply before cleaning. Always allow the appliance to cool before emptying or cleaning.

- Wipe down the exterior of the appliance with a damp cloth.
- Some cleaning agents may cause damage when used for a prolonged period on stainless steel. Use a suitable stainless steel cleaner.
- Dry the exterior thoroughly.
- Wash all removable parts in warm, soapy water.

Troubleshooting

A qualified technician must carry out repairs if required.

Fault	Probable Cause	Solution
The unit is not working	The unit is not switched on	Check the unit is plugged in correctly and switched on
	Plug or lead is damaged	Replace plug or lead
	Mains power supply fault	Check mains power supply
	Thermal cut-out switch has activated	Wait until the unit cools down. Please check your machine is safe with no obvious damage and then press the reset switch
	The thermostat has not been set correctly	Set the thermostat to a higher temperature
	The heating element has failed	Consult a qualified technician

Technical Specifications

Note: Due to our continuous improvement process, the product specifications are subject to change without notice.

Model	Voltage	Power	Current	Dimensions H x W x D mm	Net Weight
CM266-A	220-240V~ 50/60Hz	900W	3.8A	362 x 638 x 347	6.92kg

Electrical Wiring

The plug is to be connected to a suitable mains socket.

This appliance is wired as follows:

- Live wire (coloured brown) to terminal marked L
- Neutral wire (coloured blue) to terminal marked N
- Earth wire (coloured green/yellow) to terminal marked E

This appliance must be earthed.



If in doubt consult a qualified electrician.

Electrical isolation points must be kept clear of any obstructions. In the event of any emergency disconnection being required they must be readily accessible.

Compliance

The product must not be disposed of as household waste. To help prevent possible harm to human health and/or the environment, the product must be disposed of in an approved and environmentally safe recycling process. For further information on how to dispose of this product correctly, contact the product supplier, or the local authority responsible for waste disposal in your area.

Olympia parts have undergone strict product testing in order to comply with regulatory standards and specifications set by international, independent, and federal authorities.

Olympia products have been approved to carry the following symbol:



All rights reserved. No part of these instructions may be produced or transmitted in any form or by any means, electronic, mechanical, photocopying, recording or otherwise, without the prior written permission of Olympia.

Every effort is made to ensure all details are correct at the time of going to press, however, Olympia reserves the right to change specifications without notice.

DECLARATION OF CONFORMITY

• Conformiteitsverklaring • Déclaration de conformité • Konformitätserklärung • Dichiarazione di conformità •
• Declaración de conformidad

Equipment Type • Uitrustingstype • Type d'équipement • Gerätetyp • Tipo di apparecchiatura • Tipo de equipo	Model • Modèle • Modell • Modello • Modelo
Electric Chafing Dish	CM266 (-E & -A)
Application of Territory Legislation & Council Directives(s) Toepassing van Europese Richtlijn(en) • Application de la/des directive(s) du Conseil • Anwendbare EU-Richtlinie(n) • Applicazione delle Direttive • Aplicación de la(s) directiva(s) del consejo	<p>Low Voltage Directive (LVD) - 2014/35/EU Electrical Equipment (Safety) Regulations 2016 EN 60335-1:2012 +A11:2014 +A13:2017 +A1:2019 +A14:2019 +A2:2019 +A15:2021 EN 60335-2-15:2016 +A11:2018 +A1:2021 +A2:2021 +A12:2021 EN 62233:2008</p> <p>Electro-Magnetic Compatibility (EMC) Directive 2014/30/EU - recast of 2004/108/EC Electromagnetic Compatibility Regulations 2016 (S.I. 2016/1091) EN IEC 55014-1: 2021 EN IEC 55014-2: 2021 EN IEC 61000-3-2: 2019+A1:2021 EN 61000-3-3: 2013+A1:2019</p> <p>Restriction of Hazardous Substances Directive (RoHS) 2015/863 amending Annex II to Directive 2011/65/EU Restriction of the Use of Certain Hazardous Substances in Electrical and Electronic Equipment Regulations 2012 (S.I. 2012/3032)</p>
Manufacturer Name • Naam fabrikant • Nom du fabricant • Name des Herstellers • Nome del fabbricante • Nombre del fabricante	Olympia

I, the undersigned, hereby declare that the equipment specified above conforms to the above Territory Legislation, Directive(s) and Standard(s).

Ik, de ondergetekende, verklaar hierbij dat de hierboven gespecificeerde uitrusting goedgekeurd is volgens de bovenstaande Richtlijn(en) en Standaard(en).

Je soussigné, confirme la conformité de l'équipement cité dans la présente à la / aux Directive(s) et Norme(s) ci-dessus

Ich, der/die Unterzeichnende, erkläre hiermit, dass das oben angegebene Gerät der/den oben angeführten Richtlinie(n) und Norm(en) entspricht.

Il sottoscritto dichiara che l'apparecchiatura di sopra specificata è conforme alle Direttive e agli Standard sopra riportati.

El abajo firmante declara por la presente que el equipo arriba especificado está en conformidad con la(s) directiva(s) y estándar(es) arriba mencionadas.

Date • Data • Date • Datum • Data •

Fecha

Signature • Handtekening •

Signature • Unterschrift Firma •

Firma

Full Name • Volledige naam • Nom et

prénom • Vollständiger Name • Nome

completo • Nombre completo

Position • Functie • Fonction •

Position • Qualifica • Posición

Manufacturer Address • Adres

fabrikant • Adresse du fabricant •

Adresse des Herstellers • Indirizzo del

fabbricante • Dirección del fabricante

06th Dec 2024

DocuSigned by:

Ashley Hooper

B39382C9FD9C478...

Ashley Hooper

DocuSigned by:

Eoghan Donnellan

D352874F7FAB460...

Eoghan Donnellan

DocuSigned by:

Brendan

388FAD00DFE8483...

Brendan Denneade

Group Head of Product
Quality & Compliance

Commercial Manager/
Importer

Commercial Manager/
Responsible
Supplier

Fourth Way,
Avonmouth,
Bristol,
BS11 8TB
United Kingdom

Unit 9003,
Blarney Business Park,
Blarney,
Co. Cork
Ireland

15 Badgally Road,
Campbelltown
NSW 2560



OLYMPIA

olympia-tableware.com 

CM266-A_A5_v4_2025/07/21